

Ceiling Advertising Displays



Overview

Attractive 21.5" ceiling display solution designed to withstand the elements and run 24/7.

To provide unattended service for way finding and digital advertising to the largest possible audience.

Sunlight Readable Display

2000nits (cd/m^2) ultra-high brightness panel for easy reading in direct sunlight.

2000
nits (cd/m^2)



Support Windows & Android OS

Multiple Screen Sizes

A range of full HD screen size options:
21.5"/32"



Corrosion-resistant Enclosure

High quality outdoor powder coat with protection life of more than 7 years.



Outdoor Powder Coat



7 Years



Security Priority

Thick SGCC steel plate with tamper-proof locks and all controls hidden to the public.



Thick SGCC steel plate



Security

Full IP55-rated Protection

IP55 rating for entire housing to prevent dust and water from most demanding applications.



IP55



Features



Reliable & Durable

Eye-catching design based on high-grade materials to ensure optimal operation in harsh environment with a lifespan of over 50,000 hours.



IP55 Rating

Watertight design with high efficiency dustproof filters attached in air inlets and outlets to meet the protection grade of IP55.



Ultra-high Brightness

2,000 nits brightness and ambient light sensors to guarantee your advertising is always visible even in bright sunshine.



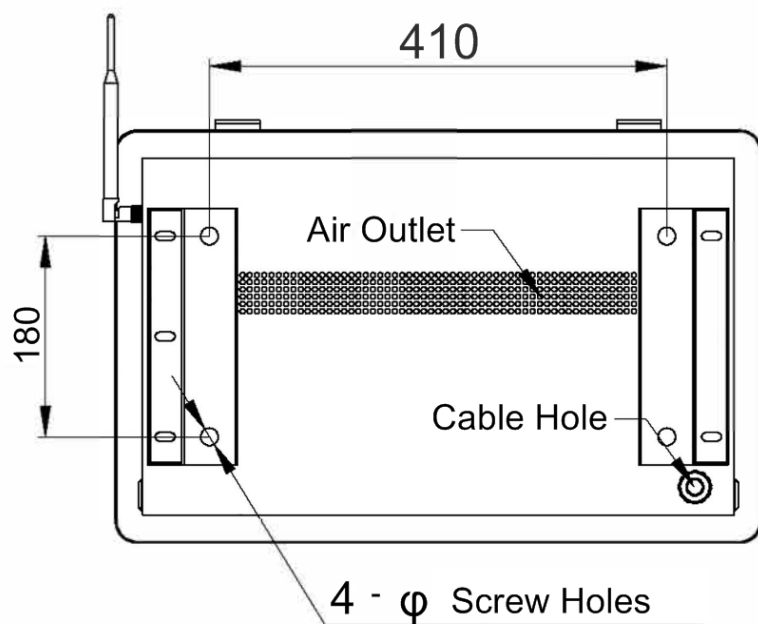
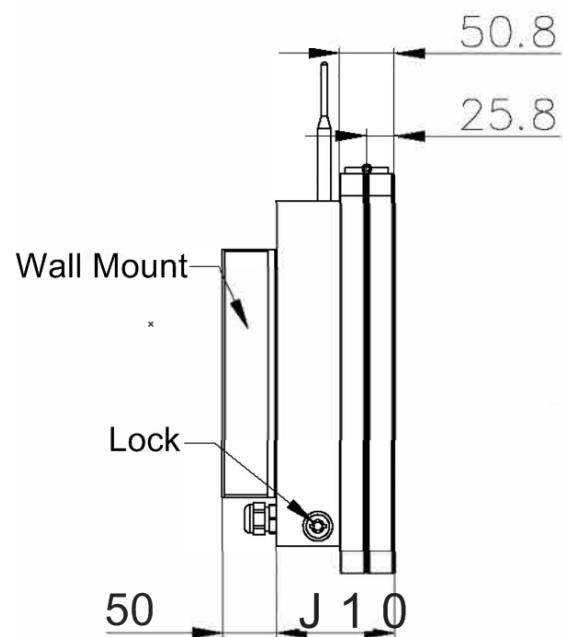
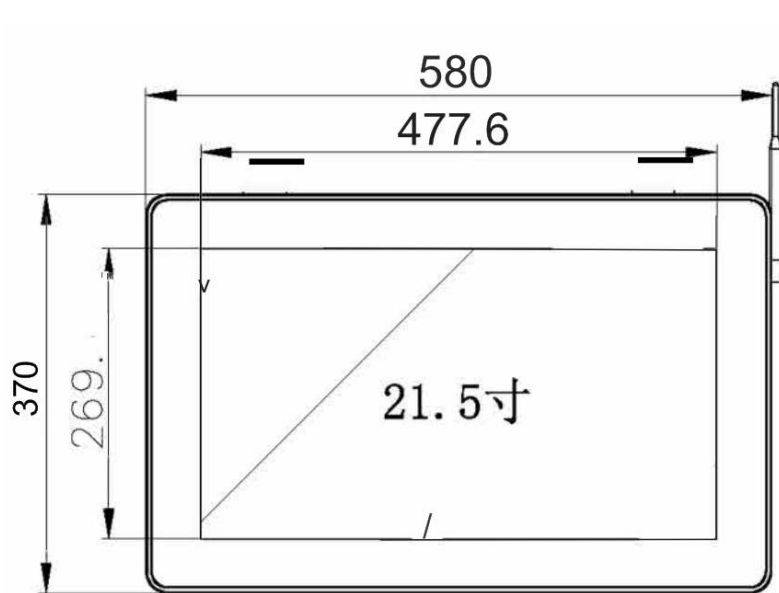
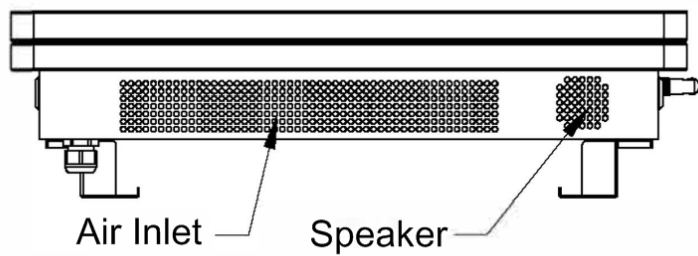
Fits Every Need

Options for anti-reflective/anti-glare glass, air conditioning system, colour, branding, display size and peripherals including printer, scanner, RFID/NFC reader and WebCam to meet any requirements.

Specifications

Ceiling Advertising Displays		
Structure	Enclosure	1.5mm SGCC Galvanized Steel Plate
		Outdoor Powder Coating
		Withstand for wide temperature: -30~60°C
		Custom Branding (Colour & Logo) Standard Black
		150mm Thickness
	Ingress Protection	IP55 Rating for entire enclosure
		Glass sealant between Glass front and Structure Wide Temperature: -30~150°C
		Door Seal Temperature: -30~60°C
		Air inlets and outlets designed with a high efficiency dust proof filter
	Labyrinth Seals prevent dust and water	
Display	Glass material	6mm tempered glass
	Light Transmittance	97%
	LCD panel	BOE LED Panel
	Lifetime	>50,000hrs
	Size	21.5"
	Aspect Ratio	16 : 9 (portrait)
	Viewing Angles	178° V / 178° H
	Resolution	Full HD 1920 * 1080px
	Brightness	1500~2000 cd/m2
	Video Connection (Internal)	HDMI
	Backlight	Direct-Type LED BLU
Ambient Light Sensor	Display brightness adapts to ambient light	
Integrated PC (ASUS IoT)	CPU	Intel® Core i3/ i5 processor (By request)
Electronic Control System	Power Supply Module	Industrial-Grade power supply
		DC 24V for LCD panel & fans
		DC 12V for broadcast system
	Air Switch	Anti-leakage protection
	Lightning Protector	Three-grade
	Timer	Set Booting Time during a day and a week
Speaker	2pcs * 10W waterproof speakers	
Forced Air Cooling System	Fans	Smart Axial fans
	Qty	4pcs * 75W
	Speed	Controlled by Temperature sensor
	Fan Booting Temperature	20°C
	Temperature Controlled	Ensure kiosk operating under 0~50°C
	Display Overheat Protection Temperature	70°C
Environment	Operating Temperature (outdoor version)	20°C~+50°C
	Storage Temperature	30°C~+50°C
	Operating Humidity	5%~95% , non-condensing
	Input Power	AC 180-240V, 50/60Hz
	Power Consumption	=230W
Packing information:	Dimension	G.W(KG)
Kiosk dimension	580(L)*370(W)*211(D)	20
Wooden Case	680(L)*470(W)*260(D)	25
20'container	450 units fully filled	
40'container	900 units fully filled	

Technical Drawings - 21.5" ceiling display



All dimension in mm.